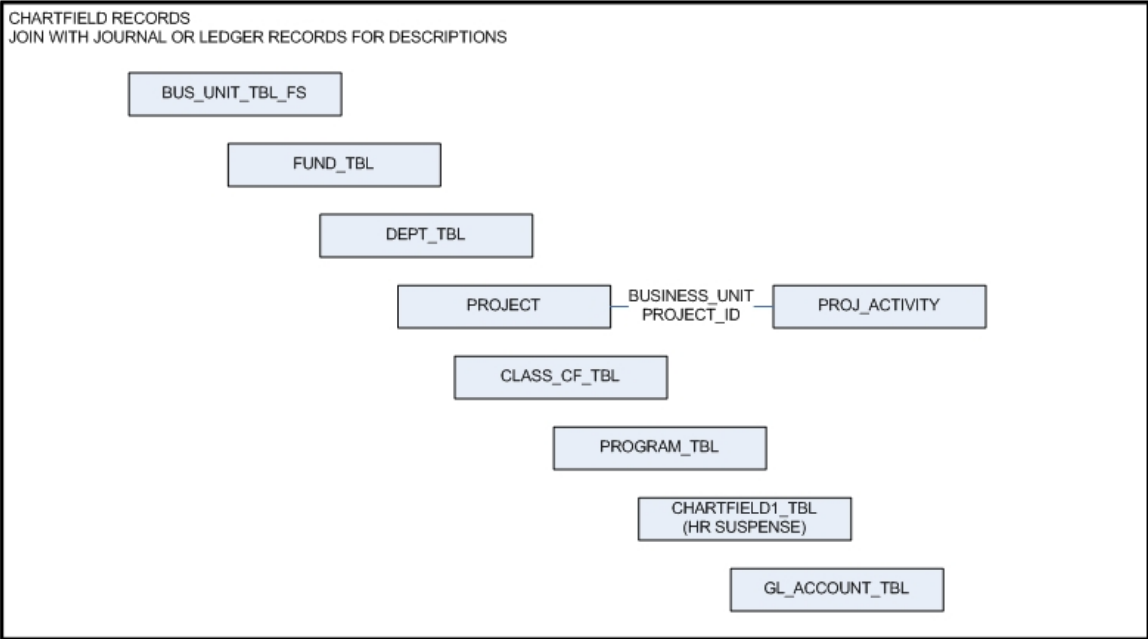
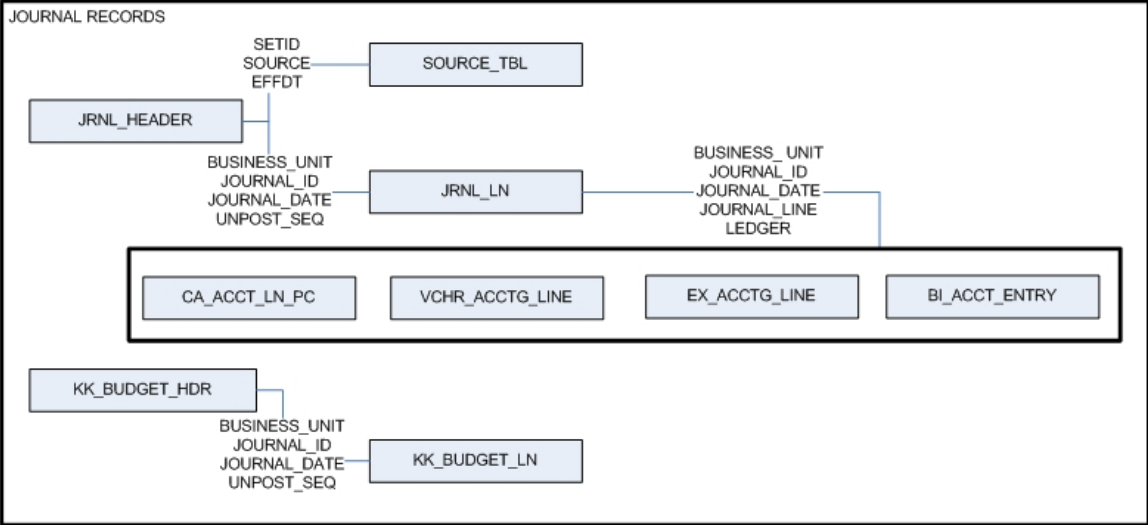
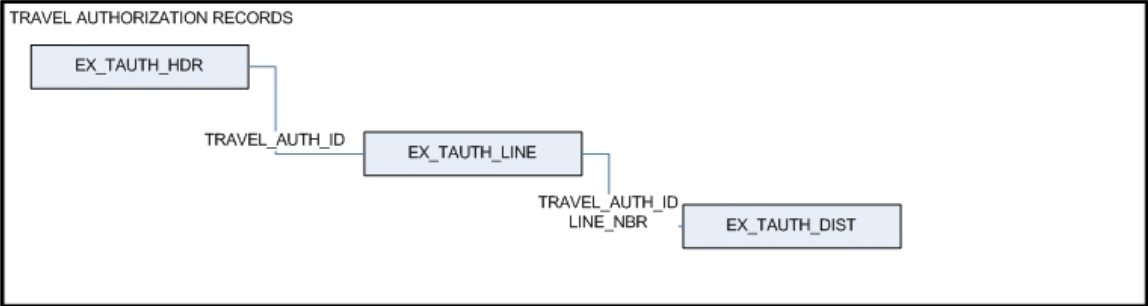
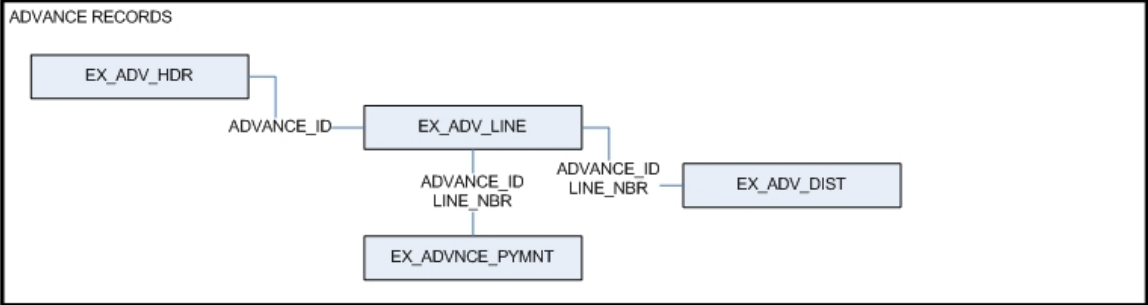
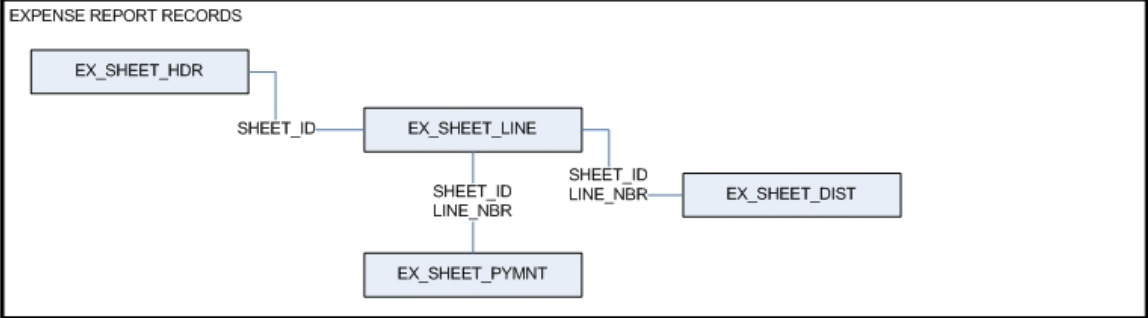


GENERAL LEDGER RECORDS

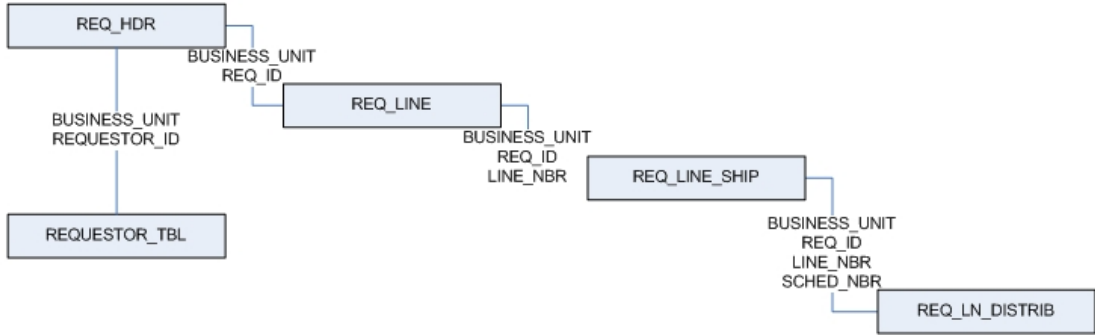


EXPENSES RECORDS

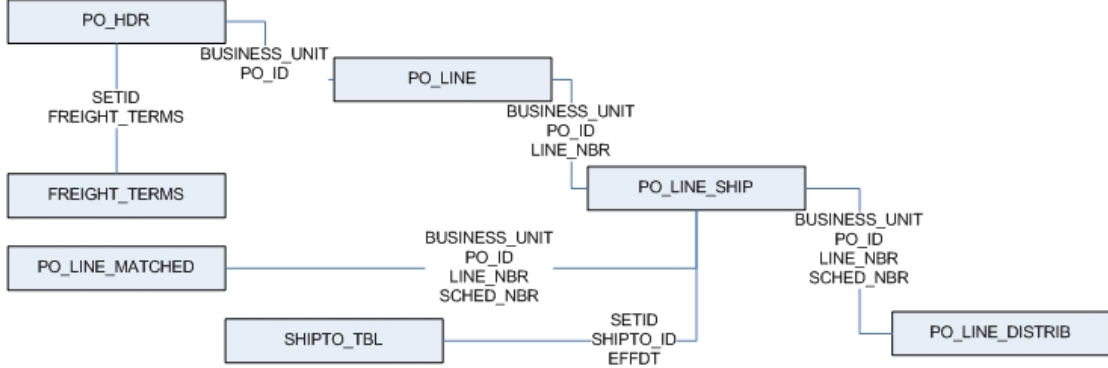


PROCUREMENT RECORDS

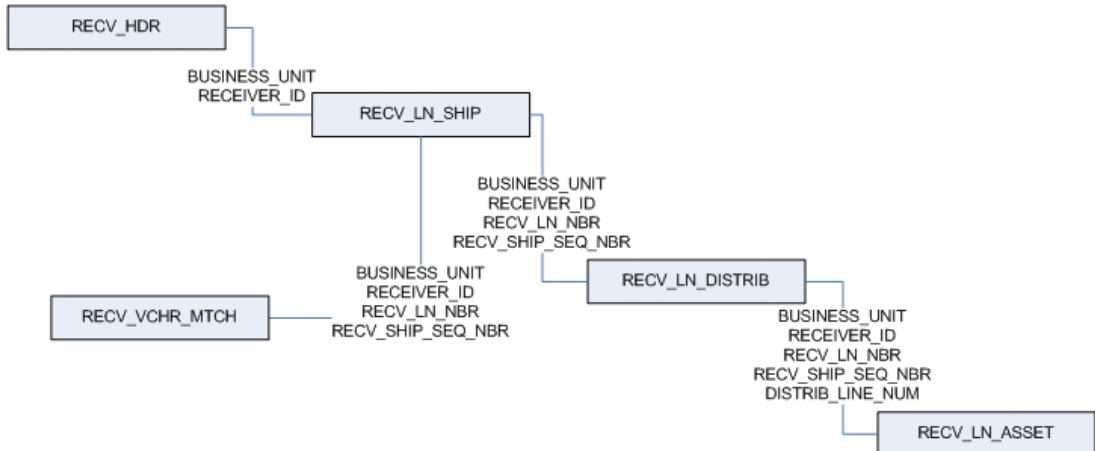
REQUISITION RECORDS

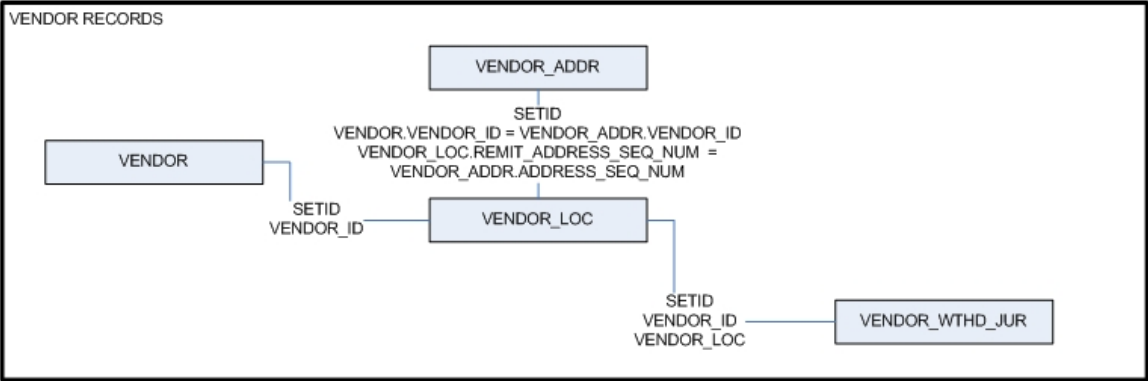
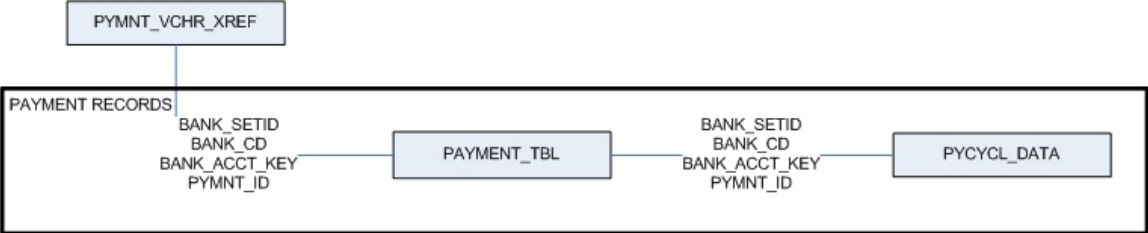
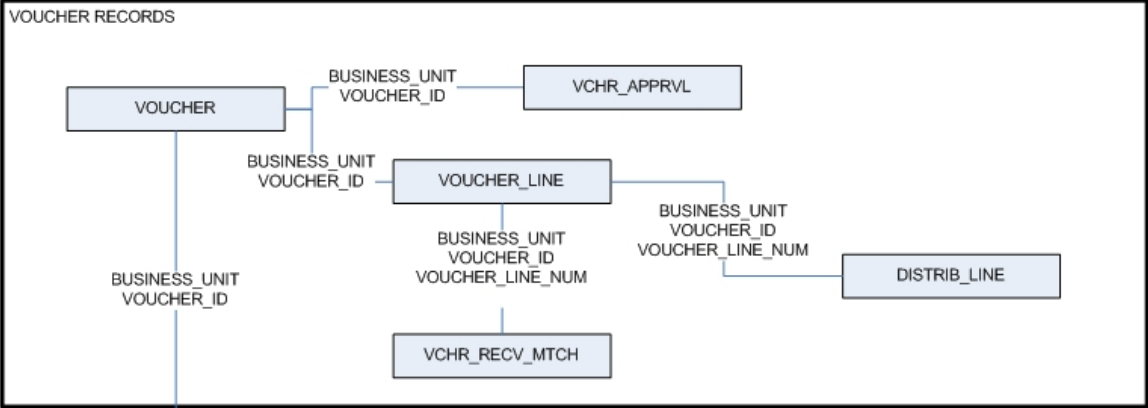


PURCHASE ORDER RECORDS



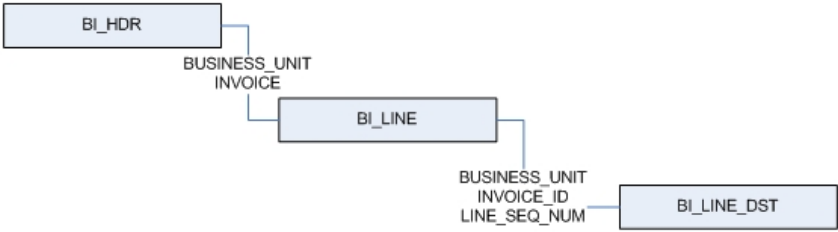
RECEIPT RECORDS



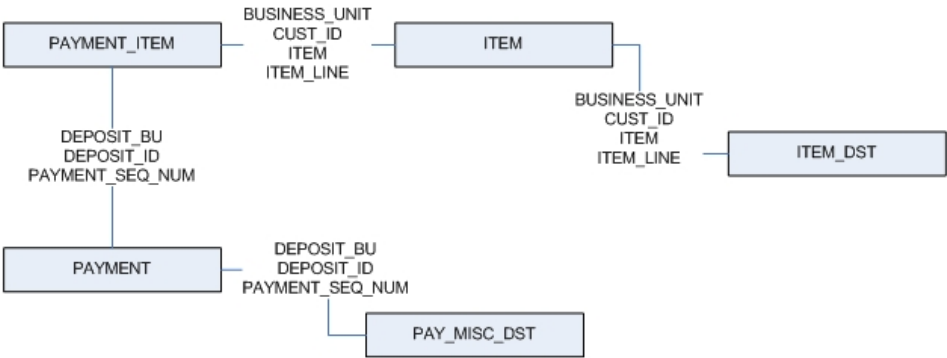


GRANTS RECORDS

BILLING RECORDS

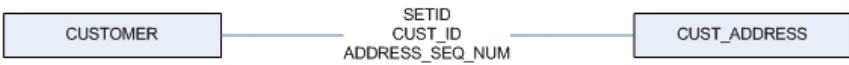


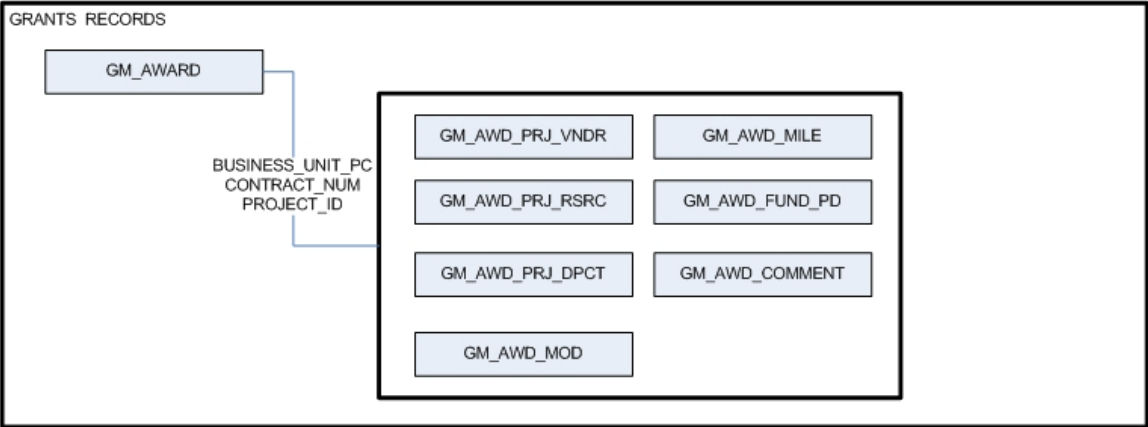
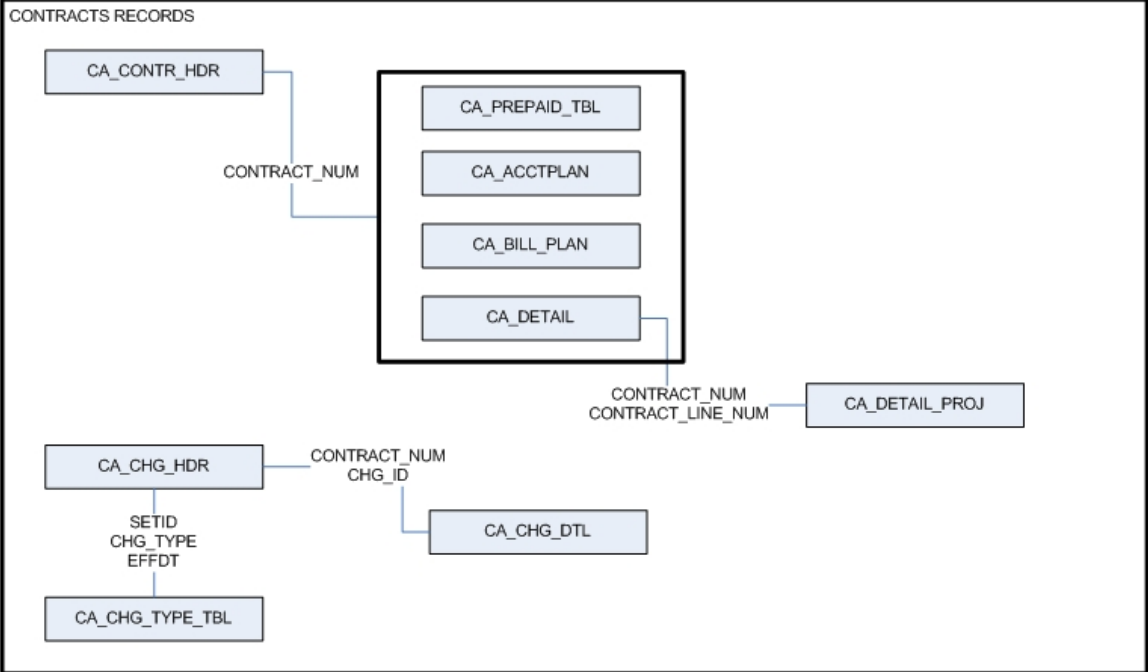
RECEIVABLES RECORDS



CUSTOMER RECORDS

LINK TO BILLING (BI_LINE - SHIP_TO_CUST_ID, SHIP_TO_ADDR_NUM or SOLD_TO_CUST_ID, SOLD_TO_ADDR_NUM),
 PAYMENT (PAYMENT_ITEM - CUST_ID, ADDRESS_SEQ_NUM), CONTRACT (CA_BILL_PLAN - BILL_TO_CUST_ID, ADDR_SEQ_NUM_BILL)





PROJECT COSTING RECORDS

